

LIFTKET®

ELECTRIC CHAIN HOISTS

BECAUSE IT WORKS



شرکت تمکین فولاد آسانبار

نماینده انحصاری لیفت کیت آلمان

نمایشگاه دائمی:

خیابان امام خمینی (ع) بازار ابزار براق، شماره ۱۰۳

تلفن: ۶۶۷۱۷۰۹۴ : ۶۶۷۱۷۰۴۱

فاکس: ۶۶۳۴۸۸۷۹

دفتر مرکزی:

تهران، میدان آرژانتین، خیابان ۲۱، پلاک ۶

تلفن: ۸۸۷۲۶۲۹۷ - ۸، ۸۸۷۰۹۳۳۶ - ۷

فاکس: ۸۸۷۲۶۱۷۴

LIFTKET



Tamkin
Tamkin Foulad Asanbar

شرکت تمکین فولاد آسانبار نماینده انحصاری لیفتکت آلمان

نمایشگاه دائمی:

خیابان امام خمینی (ع)، پاساژ ابزار یراق، شماره ۱۰۳
تلفن : ۶۶۷۱۷۰۹۴ ، ۶۶۷۱۷۰۴۱
فاکس : ۶۶۳۴۸۸۷۹

دفتر مرکزی:

تهران، میدان آرژانتین، خیابان ۲۱، پلاک ۶
تلفن : ۸۸۷۰۹۲۳۶-۷ ، ۸۸۷۲۶۲۹۷-۸
فاکس : ۸۸۷۲۶۱۷۴



LIFTKET electric chain hoists –
worldwide in use.



نمایشگاه دائمی:

خیابان امام خمینی (ع)، پاساژ ابزار یراق، شماره ۱۰۳
تلفن : ۶۶۷۱۷۰۹۴ ، ۶۶۷۱۷۰۴۱
فاکس : ۶۶۳۴۸۸۷۹

دفتر مرکزی:

تهران، میدان آرژانتین، خیابان ۲۱، پلاک ۶
تلفن : ۸۸۷۰۹۲۳۶-۷، ۸۸۷۲۶۲۹۷-۸
فاکس : ۸۸۷۲۶۱۷۴



Production program

» Electric chain hoists 125 kg – 6300 kg



» Electric chain hoists 4000 kg – 25000 kg



» Electric chain hoists for special requirements



» Electric chain hoists single phase 125 kg – 1000 kg

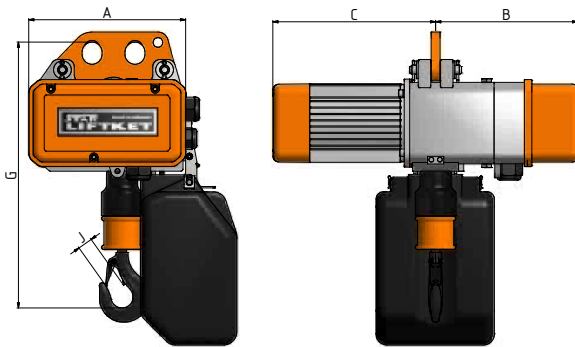


» Single bolt trolleys for underslung cranes



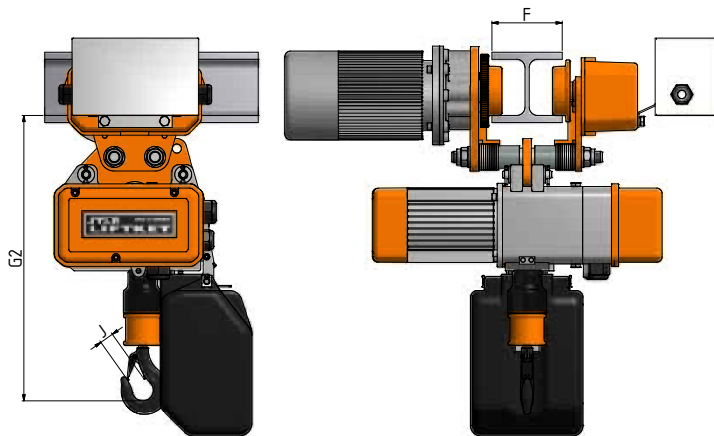
Electric chain hoists

Basic version



- » High duty rate
- » Patented safety-brake-clutch system
- » Different chain qualities to suit the requested frequency of use are available
- » Simple and cost effective maintenance and repair due to modular hoist design
- » The low voltage control is made of conventional easily changeable components – no printed circuit boards used
- » Change between single and double fall of chain is absolutely simple and safe

With electric trolley or push trolley

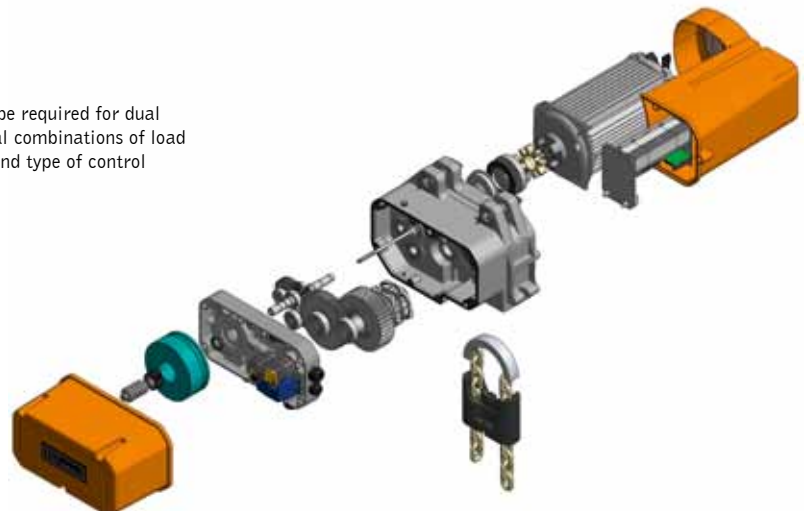


Technical data:



- Power supply 400 V, 3 ph, 50 Hz
- Different voltage and frequency options available on request
- Protection class IP55
- Insulation class F
- Control cable 1.5 m supplied as standard
- Height of lift 3 m supplied as standard
- Different heights of lift and control cable lengths available on request
- For lifting heights of more than 20 m the safe working load will be reduced by the chain weight
- STAR models 090/..., 091/..., 110/... and 111/... have to be equipped with 24 Volt low voltage control. If supplied without control upon request a low voltage control has to be added before first operation. These STAR models are equipped with 24 Volt low voltage control as standard.

| Trolley capacity [kg] | Minimum radius of beam [m] |
|-----------------------|----------------------------|
| up to 1000 | 1.0 |
| up to 3200 | 1.5 |
| up to 6300 | 2.0 |

Counter weights might be required for dual speed trolleys for special combinations of load capacity, flange width and type of control (max. weight 9.4 kg).



125 kg – 6300 kg

| Load chain EN 818-7, T [mm] |  Capacity single fall [kg] | Lifting speed at 50 Hz [m/min] |  Capacity double fall [kg] | Lifting speed at 50 Hz [m/min] | STAR Model | Duty group hoist FEM 9.511 | Duty group load chain FEM 9.511 | Duty rate [%] / Starts per hour [S/h] | Power lifting motor at 50 Hz [kW] | Weight basic version single fall [kg] | A [mm] | B [mm] | C [mm] | G single fall [mm] | G double fall [mm] | G2 single fall [mm] | G2 double fall [mm] | J single fall [mm] | J double fall [mm] | Trolley type [kg] | F Flange width [mm] | Travelling speed at 50 Hz [m/min] | Power travelling motor at 50 Hz [kW] |
|-----------------------------|-------------------------------------------------------------------------------------------------------------|--------------------------------|-------------------------------------------------------------------------------------------------------------|--------------------------------|------------|----------------------------|---------------------------------|---------------------------------------|-----------------------------------|---------------------------------------|--------|--------|--------|--------------------|--------------------|---------------------|---------------------|--------------------|--------------------|-------------------|--------------------------------------|-----------------------------------|--------------------------------------|
| 4x12 | 125 | 24 | 250 | 12 | 020/50 | 3m | 1Bm | 60/240 | 0.55 | 17 | 212 | 192 | 220 | 359 | 407 | 406 | 454 | 20 | 22 | 500 | N 50-106 S1 110-200 S2 210-300 | 5/20 | 0.04/0.18 |
| | 125 | 8 | 250 | 4 | 020/52 | 3m | 2m | 60/360 | 0.25 | 17 | 212 | 192 | 220 | 359 | 407 | 406 | 454 | 20 | 22 | 500 | | 16 | 0.12 |
| | 125 | 4/1 | 250 | 2/0.5 | 021/57 | 3m | 2m | 60/40/240 | 0.32/0.08 | 17 | 212 | 192 | 220 | 359 | 407 | 406 | 454 | 20 | 22 | 500 | | 16 | 0.12 |
| | 125 | 8/2 | 250 | 4/1 | 021/53 | 3m | 3m | 60/40/240 | 0.32/0.08 | 17 | 212 | 192 | 220 | 359 | 407 | 406 | 454 | 20 | 22 | 500 | | 16 | 0.12 |
| | 250 | 6 | 500 | 3 | 020/53 | 3m | 2m | 60/240 | 0.55 | 17 | 212 | 192 | 220 | 359 | 407 | 406 | 454 | 20 | 22 | 500 | | 16 | 0.12 |
| | 250 | 8 | 500 | 4 | 020/54 | 2m | 1Bm | 60/240 | 0.55 | 17 | 212 | 192 | 220 | 359 | 407 | 406 | 454 | 20 | 22 | 500 | | 16 | 0.12 |
| 5.2x15 | 250 | 8/2 | 500 | 4/1 | 021/51 | 2m | 2m | 40/25/240 | 0.32/0.08 | 17 | 212 | 192 | 220 | 359 | 407 | 406 | 454 | 20 | 22 | 500 | N 66-135 S1 137-215 S2 220-300 | 16 | 0.12 |
| | 125 | 24/6 | 250 | 12/3 | 051/50 | 3m | 2m | 60/25/240 | 0.55/0.12 | 33 | 266 | 232 | 274 | 394 | 442 | 436 | 489 | 20 | 22 | 500 | | 25 | 0.12 |
| | 250 | 12 | 500 | 6 | 030/50 | 2m | 2m | 60/240 | 0.55 | 18 | 212 | 192 | 220 | 359 | 407 | 406 | 454 | 20 | 22 | 500 | | 25 | 0.12 |
| | 250 | 24 | 500 | 12 | 050/52 | 3m | 1Bm | 60/240 | 1.1 | 33 | 266 | 232 | 274 | 394 | 442 | 436 | 489 | 20 | 22 | 500 | | 25 | 0.12 |
| | 250 | 12/3 | 500 | 6/1.5 | 051/52 | 3m | 2m | 40/25/240 | 0.55/0.12 | 33 | 266 | 232 | 274 | 394 | 442 | 436 | 489 | 20 | 22 | 500 | | 25 | 0.12 |
| | 250 | 18/4.5 | 500 | 9/2.25 | 051/55 | 3m | 2m | 60/25/240 | 0.9/0.2 | 33 | 266 | 232 | 274 | 394 | 442 | 436 | 489 | 20 | 22 | 500 | | 25 | 0.12 |
| 7.2x21 | 500 | 8 | 1000 | 4 | 030/52 | 1Bm | 1Bm | 40/240 | 0.7 | 18 | 212 | 192 | 220 | 359 | 407 | 415 | 463 | 20 | 22 | 1000 | N 82-155 S1 137-215 S2 220-300 | 16 | 0.12 |
| | 500 | 10 | 1000 | 5 | 070/51 | 2m | 2m | 60/240 | 1.1 | 36 | 266 | 232 | 274 | 404 | 505 | 460 | 561 | 22 | 28 | 1000 | | 5/20 | 0.04/0.18 |
| | 500 | 8/2 | 1000 | 4/1 | 071/54 | 2m | 2m | 60/25/240 | 0.9/0.2 | 42 | 266 | 232 | 274 | 404 | 505 | 460 | 561 | 22 | 28 | 1000 | | 16 | 0.12 |
| | 500 | 10/2.5 | 1000 | 5/1.25 | 071/53 | 2m | 2m | 60/25/240 | 0.9/0.2 | 42 | 266 | 232 | 274 | 404 | 505 | 460 | 561 | 22 | 28 | 1000 | | 16 | 0.12 |
| | 800 | 8 | 1600 | 4 | 070/54 | 2m | 2m | 60/240 | 1.1 | 36 | 266 | 232 | 274 | 404 | 505 | 460 | 561 | 22 | 28 | 2000 | | 25 | 0.12 |
| | 1000 | 6 | 2000 | 3 | 070/55 | 2m | 2m | 40/240 | 1.1 | 36 | 266 | 232 | 274 | 404 | 505 | 460 | 561 | 22 | 28 | 2000 | | 25 | 0.12 |
| | 1000 | 10 | 2000 | 5 | 070/53 | 1Am | 1Bm | 60/240 | 1.7 | 42 | 266 | 232 | 274 | 404 | 505 | 460 | 561 | 22 | 28 | 2000 | | 25 | 0.12 |
| | 1000 | 6/1.5 | 2000 | 3/0.75 | 071/55 | 2m | 2m | 60/25/240 | 1.1/0.2 | 42 | 266 | 232 | 274 | 404 | 505 | 460 | 561 | 22 | 28 | 2000 | | 25 | 0.12 |
| 9x27 | 1250 | 8 | 2500 | 4 | 070/56 | 1Bm | 1Bm | 60/240 | 1.7 | 42 | 266 | 232 | 274 | 420 | 521 | 478 | 579 | 22 | 28 | 3200 | 25 | 0.12 | |
| | 1250 | 8/2 | 2500 | 4/1 | 071/56 | 1Bm | 1Bm | 40/25/150 | 2.1/0.5 | 48 | 266 | 232 | 354 | 420 | 521 | 478 | 579 | 22 | 28 | 3200 | 25 | 0.12 | |
| | 1000 | 8 | 2000 | 4 | 090/54 | 3m | 3m | 60/240 | 2.2 | 69 | 359 | 283 | 359 | 488 | 596 | 548 | 655 | 28 | 30 | 2000 | 5/20 | 0.04/0.18 | |
| | 1000 | 10 | 2000 | 5 | 090/52 | 3m | 3m | 60/240 | 3.0 | 69 | 359 | 283 | 359 | 488 | 596 | 548 | 655 | 28 | 30 | 2000 | 5/20 | 0.04/0.18 | |
| | 1000 | 8/2 | 2000 | 4/1 | 091/51 | 3m | 3m | 60/25/240 | 1.8/0.45 | 67 | 359 | 283 | 359 | 488 | 596 | 548 | 655 | 28 | 30 | 2000 | 8 | 0.12 | |
| | 1000 | 10/2.5 | 2000 | 5/1.25 | 091/52 | 3m | 3m | 60/25/240 | 1.8/0.45 | 67 | 359 | 283 | 359 | 488 | 596 | 548 | 655 | 28 | 30 | 2000 | 8 | 0.12 | |
| | 1600 | 8 | 3200 | 4 | 090/55 | 2m | 2m | 60/240 | 2.2 | 69 | 359 | 283 | 359 | 488 | 596 | 548 | 655 | 28 | 30 | 3200 | 12 | 0.12 | |
| | 1600 | 8/2 | 3200 | 4/1 | 091/55 | 2m | 2m | 60/25/240 | 3.0/0.75 | 88 | 359 | 283 | 359 | 488 | 596 | 548 | 655 | 28 | 30 | 3200 | 12 | 0.12 | |
| 11.3x31 | 1600 | 10/2.5 | 3200 | 5/1.25 | 091/56 | 2m | 2m | 60/25/240 | 3.0/0.75 | 88 | 359 | 283 | 359 | 488 | 596 | 548 | 655 | 28 | 30 | 3200 | 12 | 0.12 | |
| | 1600 | 12/3 | 3200 | 6/1.5 | 091/58 | 2m | 1Bm | 40/25/240 | 4.4/1.1 | 103 | 359 | 338 | 406 | 488 | 596 | 548 | 655 | 28 | 30 | 3200 | 12 | 0.12 | |
| | 1600 | 16/4 | 3200 | 8/2 | 091/57 | 1Am | 1Bm | 40/25/240 | 4.4/1.1 | 103 | 359 | 338 | 406 | 488 | 596 | 548 | 655 | 28 | 30 | 3200 | 12 | 0.12 | |
| | 2500 | 10 | 5000 | 5 | 110/52 | 2m | 2m | 60/240 | 4.0 | 90 | 359 | 291 | 367 | 611 | 740 | 678 | 807 | 30 | 42 | 5000 | 4/16 | 0.06/0.25 | |
| 2500 | 10/2.5 | 5000 | 5/1.25 | 111/52 | 2m | 2m | 40/25/150 | 4.4/1.1 | 118 | 359 | 291 | 410 | 611 | 740 | 678 | 807 | 30 | 42 | 5000 | 4/16 | 0.06/0.25 | | |
| 3200 | 8 | 6300 | 4 | 110/54 | 1Bm | 1Bm | 60/240 | 4.0 | 90 | 359 | 291 | 367 | 611 | 740 | 678 | 807 | 30 | 42 | 6300 | 4/16 | 0.06/0.25 | | |
| 3200 | 8/2 | 6300 | 4/1 | 111/54 | 1Bm | 1Bm | 25/25/150 | 4.4/1.1 | 118 | 359 | 291 | 410 | 611 | 740 | 678 | 807 | 30 | 42 | 6300 | 4/16 | 0.06/0.25 | | |

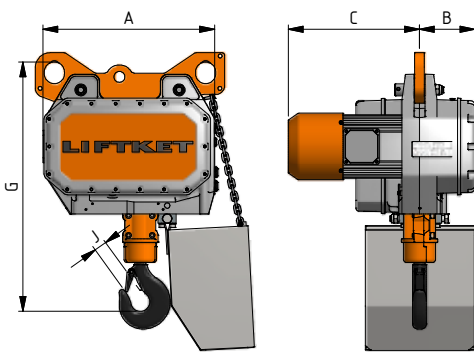
The technical data mentioned in the tables are approximate and subject to change. For other versions please visit www.liftket.com or ask our sales team.



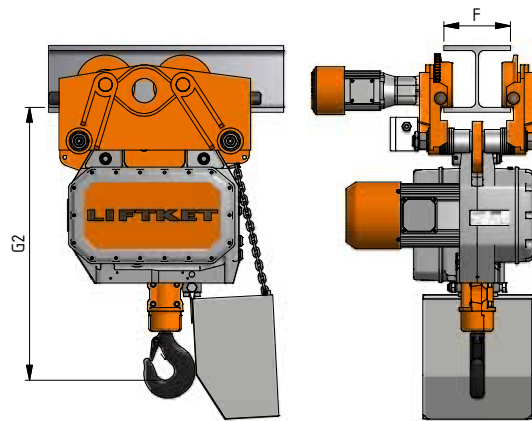
شرکت تمکین فولاد آسانبار
نماینده انحصاری لیفت کت آلمان

Electric chain hoists

Basic version



With electric trolley



LIFTKET version B13/00X and version B15/00Y

| Load chain EN 818-7, T [mm] | Capacity single fall [kg] | Lifting speed at 50 Hz [m/min] | Capacity double fall [kg] | Lifting speed at 50 Hz [m/min] | Model | Duty group hoist FEM 9.511 | Duty group load chain FEM 9.511 | Duty rate [%] / Starts per hour [S/h] | Power lifting motor at 50 Hz [kW] | Weight basic version single fall without chain [kg] | A [mm] | B [mm] | C [mm] | G single fall [mm] | G double fall [mm] | G2 single fall [mm] one trolley | G2 double fall [mm] one trolley | J single fall [mm] | J double fall [mm] | Trolley type [kg] | F Flange width [mm] | Travelling speed at 50 Hz [m/min] | Power travelling motor at 50 Hz [kW] |
|-----------------------------|---------------------------|--------------------------------|---------------------------|--------------------------------|---------|----------------------------|---------------------------------|---------------------------------------|-----------------------------------|-----------------------------------------------------|--------|--------|--------|--------------------|--------------------|---------------------------------|---------------------------------|--------------------|--------------------|-------------------|-------------------------|-----------------------------------|--------------------------------------|
| 16x45 | 4000 | 5.6/1.4 | 8000 | 2.8/0.7 | B13/00X | 2m | 2m | 60/40/240 | 6.0/1.3 | 224 | 567 | 183 | 434 | 823 | 916 | 901 | 994 | 42 | 50 | 12500 | N 140-230 S1 220-310 | 16/4 | 0.55/0.12 |
| | 5000 | 5.6/1.4 | 10000 | 2.8/0.7 | B13/00X | 1Am | 1Am | 60/40/180 | 6.0/1.3 | 224 | 567 | 183 | 434 | 823 | 916 | 901 | 994 | 42 | 50 | 12500 | | | |
| | 6300 | 5.6/1.4 | 12500 | 2.8/0.7 | B13/00X | 1Bm | 1Bm | 60/40/150 | 6.4/1.6 | 224 | 567 | 183 | 434 | 823 | 916 | 901 | 994 | 42 | 50 | 12500 | | | |
| 17.3x48 | 7500 | 4.4/1.1 | 15000 | 2.2/0.6 | B15/00Y | 1Bm | 1Bm | 60/40/150 | 6.4/1.6 | 224 | 567 | 183 | 434 | 823 | 916 | 901 | 994 | 42 | 50 | 15000 | | | |

The technical data mentioned in the tables are approximate and subject to change.

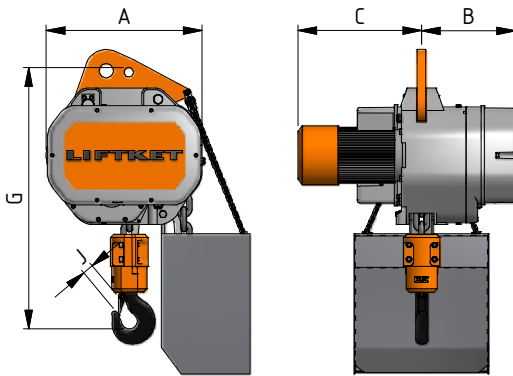
Remark: The standard trolleys of these hoist versions are not suitable for curved beams.

Technical data:

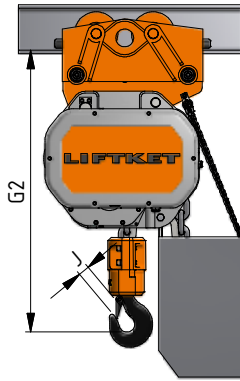
- Power supply 400 V, 3 ph, 50 Hz
- Different voltage and frequency options are available
- Protection class IP54, optional IP55
- Insulation class F
- Equipped with 24 Volt low voltage control as standard
- Electric limit switches
- Control cable 1.5 m supplied as standard
- Height of lift 3 m supplied as standard
- Different heights of lift and control cable lengths available on request
- For lifting heights of more than 10 m the safe working load will be reduced by the chain weight

4000 kg – 25000 kg

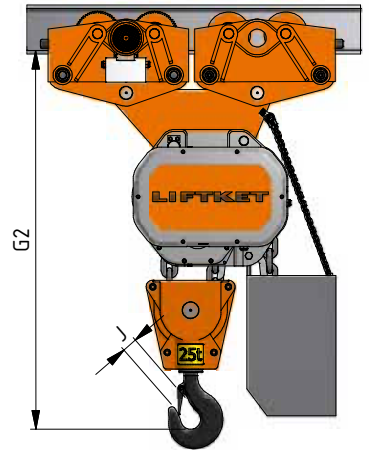
Basic version



Single fall/
one electric trolley



Double fall/
two electric trolleys



POWER LIFTKET version 235/50

| Load chain EN 818-7; T [mm] | Capacity single fall [kg] | Lifting speed at 50 Hz [m/min] | Capacity double fall [kg] | Lifting speed at 50 Hz [m/min] | Model | Duty group hoist FEM 9.511 | Duty group load chain FEM 9.511 | Duty rate [%] / Starts per hour [S/h] | Power lifting motor at 50 Hz [kW] | Weight basic version single fall without chain [kg] | A [mm] | B [mm] | C [mm] | G single fall [mm] | G double fall [mm] | G2 single fall [mm] one trolley | G2 double fall [mm] two trolleys | J single fall [mm] | J double fall [mm] | Trolley type [kg] | F Flange width [mm] | Travelling speed at 50 Hz [m/min] | Power travelling motor at 50 Hz [kW] |
|-----------------------------|---------------------------|--------------------------------|---------------------------|--------------------------------|--------|----------------------------|---------------------------------|---------------------------------------|-----------------------------------|-----------------------------------------------------|--------|--------|--------|--------------------|--------------------|---------------------------------|----------------------------------|--------------------|--------------------|-------------------|-------------------------|-----------------------------------|--------------------------------------|
| 23.5x66 | 8000 | 6.4/1.6 | 16000 | 3.2/0.8 | 235/50 | 2m | 2m | 25/10/240 | 12.5/3.1 | 517 | 700 | 423 | 556 | 1174 | 1456 | 1266 | 1703 | 50 | 67 | 2x12500 | N 140-230 S1 220-310 | 16/4 | 2x 0.55/0.12 |
| | 10000 | 6.4/1.6 | 20000 | 3.2/0.8 | 235/50 | 1Am | 1Am | 25/10/180 | 12.5/3.1 | 517 | 700 | 423 | 556 | 1174 | 1456 | 1266 | 1703 | 50 | 67 | 2x12500 | | | |
| | 12500 | 6.4/1.6 | 25000 | 3.2/0.8 | 235/50 | 1Bm | 1Bm | 25/10/150 | 12.5/3.1 | 517 | 700 | 423 | 556 | 1174 | 1456 | 1266 | 1703 | 50 | 67 | 2x12500 | | | |

The technical data mentioned in the tables are approximate and subject to change.

Remark: The standard trolleys of these hoist versions are not suitable for curved beams.

Technical data:

- Power supply 400 V, 3 ph, 50 Hz
- Different voltage and frequency options are available
- Protection class IP55
- Insulation class F
- Equipped with 24 Volt low voltage control as standard
- Electric limit switches
- Control cable 1.5 m supplied as standard
- Height of lift 3 m supplied as standard
- Different heights of lift and control cable lengths available on request
- For lifting heights of more than 10 m the safe working load will be reduced by the chain weight

Electric chain hoists for special requirements

Load chains and load hooks made from stainless steel are available especially for the chemical and the food industry. Feel free to address your requirements. Note that due to the stainless steel components the load capacity may have to be reduced.

Control pendant with mode switch for the control of two electric chain hoists



Robust control pendant with impact protection and integrated strain relief



The perfect solution to lift long loads synchronously.

To lift long loads synchronously different hoisting devices up to 2 x 1250 kg load capacity are available. Feel free to address your requirements of load capacity, speed and hook distance.



Example for a STAR LIFTKET with extreme short headroom for either stationary use or with push or electric trolleys. (Special version with rack and pinion)

High quality radio control, certified for use on lifting equipment, available as multichannel control or for the control of hoist groups.



Electric chain hoist with two brakes and internal gear limit switch (limit switch with 4 or 6 positions available). Encoders and frequency inverters can be added.

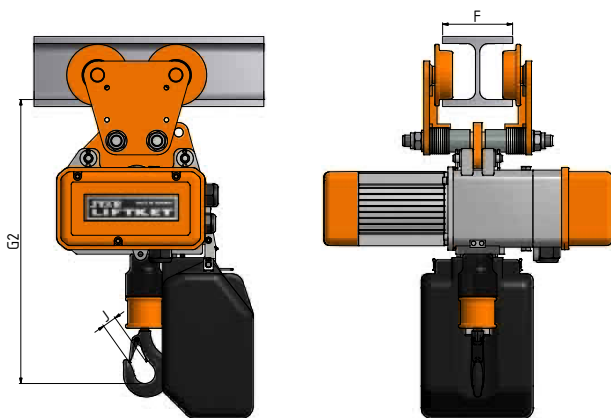
Electric chain hoists single phase 125 – 1000 kg

- » All advantages of the standard STAR LIFTKET chain hoists are incorporated in the models with single phase motors. These hoists are designed for construction sites and places without a three phase power supply.
- » Due to the excellent thermal performance of the motors high duty rates and longer lifting heights are possible. All single phase electric chain hoists require a minimum diameter of 2.5 sq. mm for the power supply cable for trouble-free operation. The power supply cable should be as short as possible.

| Load chain EN 818-7, T [mm] | Capacity single fall [kg] | Lifting speed at 50 Hz [m/min] | Capacity double fall [kg] | Lifting speed at 50 Hz [m/min] | STAR Model | Duty group hoist FEM 9.511 | Duty group load chain FEM 9.511 | Duty rate [%] / Starts per hour [S/h] | Power lifting motor at 50 Hz [kW] | Weight basic version single fall [kg] | A [mm] | B [mm] | C [mm] | G single fall [mm] | G double fall [mm] | G2 single fall [mm] | G2 double fall [mm] | J single fall [mm] | J double fall [mm] | Trolley type [kg] | F Flange width [mm] |
|-----------------------------|---------------------------|--------------------------------|---------------------------|--------------------------------|------------|----------------------------|---------------------------------|---------------------------------------|-----------------------------------|---------------------------------------|--------|--------|--------|--------------------|--------------------|---------------------|---------------------|--------------------|--------------------|-------------------|--------------------------------------|
| 4x12 | 250 | 8 | 500 | 4 | 020/01 | 2m | 18m | 40/240 | 0.35 | 17 | 212 | 192 | 220 | 359 | 407 | 406 | 454 | 20 | 22 | 500 | N 50-106 S1 110-200 S2 210-300 |
| 5.2x15 | 125 | 24 | 250 | 12 | 050/01 | 3m | 2m | 40/240 | 0.55 | 33 | 266 | 232 | 274 | 394 | 442 | 436 | 489 | 20 | 22 | 500 | |
| | 500 | 8 | 1000 | 4 | 050/02 | 1Am | 18m | 40/240 | 0.7 | 33 | 266 | 232 | 274 | 394 | 442 | 449 | 497 | 20 | 22 | 1000 | |
| 7.2x21 | 500 | 10 | 1000 | 5 | 070/02 | 2m | 2m | 40/240 | 1.1 | 36 | 266 | 232 | 274 | 404 | 505 | 460 | 561 | 22 | 28 | 1000 | N 66-135 S1 137-215 S2 220-300 |
| | 1000 | 6 | 2000 | 3 | 070/01 | 1Am | 18m | 40/240 | 1.1 | 36 | 266 | 232 | 274 | 404 | 505 | 460 | 561 | 22 | 28 | 2000 | |

The technical data mentioned in the tables are approximate and subject to change.

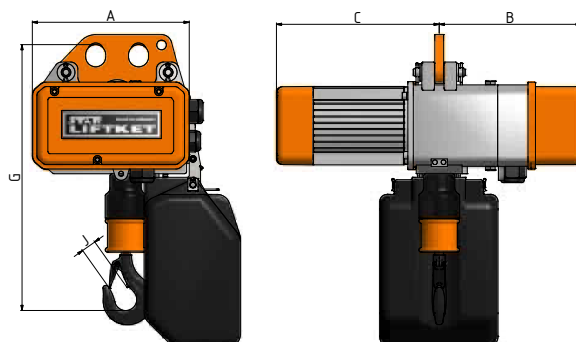
With push trolley



Technical data:

- Power supply 230 V, 1 ph, 50 Hz
- Different voltage and frequency options available on request
- Protection class IP55
- Insulation class F
- Control cable 1.5 m supplied as standard
- Height of lift 3 m supplied as standard
- Different heights of lift and control cable lengths available on request
- For lifting heights of more than 20 m the safe working load will be reduced by the chain weight

Basic version

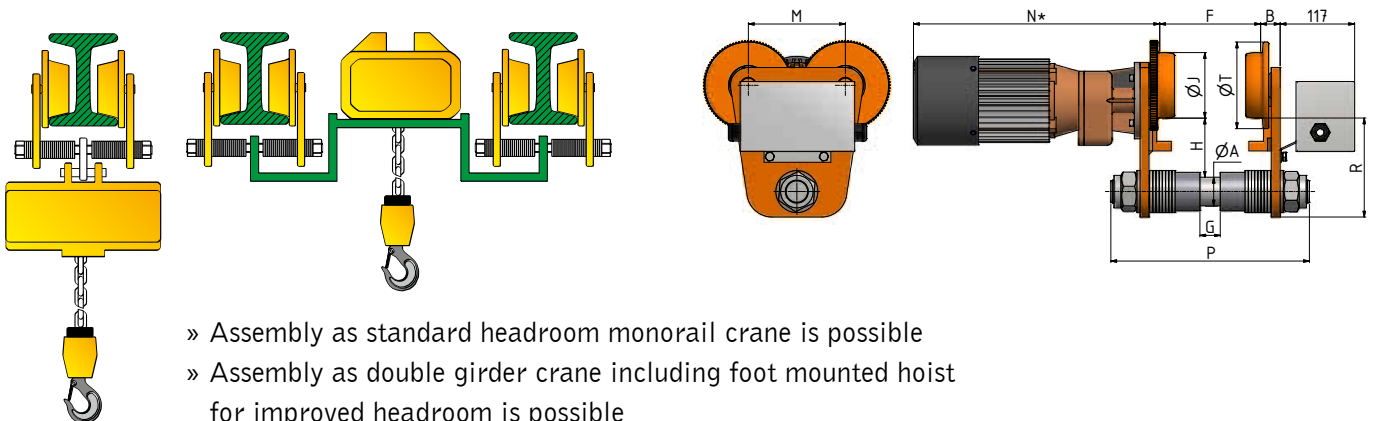


Single bolt trolleys for underslung cranes

- » All wheels are equipped with roller bearings and have a wear resistant surface. The higher capacity wheels are case-hardened.
- » Suitable for use on parallel and tapered flanges
- » All parts are almost maintenance-free
- » All bolts, distance tubes and spacing washers are galvanized for better corrosion protection
- » All electric trolleys are equipped with robust electromagnetic disk brakes
- » The electric trolley motors are protected according to IP54 (minimum)
- » All trolleys are equipped with safety drop stop

| Trolley type [kg] | F Flange width [mm] | ø A [mm] | B [mm] | G [mm] | H [mm] | ø J [mm] | M [mm] | ø T [mm] | P [mm] | R [mm] | Weight push trolley [kg] | Weight trolley with travelling motor I [kg] | Travelling speed I at 50 Hz [m/min] | Power travelling motor I at 50 Hz [kW] | N* at travelling motor I [mm] | Travelling speed II at 50 Hz [m/min] | Power travelling motor II at 50 Hz [kW] | N* at travelling motor II [mm] | Travelling speed III at 50 Hz [m/min] | Power travelling motor III at 50 Hz [kW] | N* at travelling motor III [mm] |
|----------------------------|---------------------|----------|--------|--------|--------|----------|--------|----------|--------|--------|--------------------------|---------------------------------------------|-------------------------------------|----------------------------------------|-------------------------------|--------------------------------------|-----------------------------------------|--------------------------------|---------------------------------------|------------------------------------------|---------------------------------|
| EEF 1000 or EHF 1000 | N 66-135 | 28 | 26.5 | 24 | 71 | 70 | 112 | 88 | 243 | 109 | 10 | 18 | 5+20 | 0.04/0.18 | 264 | 7.5+30 | 0.06/0.25 | 356 | 16 or 25 | 0.12 | 192 |
| | S1 137-215 | 32 | 26.5 | 24 | 69 | 70 | 112 | 88 | 325 | 109 | 11 | 19 | 5+20 | 0.04/0.18 | 264 | 7.5+30 | 0.06/0.25 | 356 | 16 or 25 | 0.12 | 192 |
| | S2 220-300 | 35 | 26.5 | 24 | 67.5 | 70 | 112 | 88 | 409 | 109 | 12 | 20 | 5+20 | 0.04/0.18 | 264 | 7.5+30 | 0.06/0.25 | 356 | 16 or 25 | 0.12 | 192 |
| EEF 2000 or EHF 2000 | N 66-135 | 35 | 26.5 | 24 | 87.5 | 70 | 112 | 88 | 268 | 135 | 12 | 20 | 5+20 | 0.04/0.18 | 264 | 7.5+30 | 0.06/0.25 | 356 | 16 or 25 | 0.12 | 192 |
| | S1 137-215 | 40 | 26.5 | 24 | 85 | 70 | 112 | 88 | 348 | 135 | 13 | 22 | 5+20 | 0.04/0.18 | 264 | 7.5+30 | 0.06/0.25 | 356 | 16 or 25 | 0.12 | 192 |
| | S2 220-300 | 45 | 26.5 | 24 | 82.5 | 70 | 112 | 88 | 434 | 135 | 15 | 24 | 5+20 | 0.04/0.18 | 264 | 7.5+30 | 0.06/0.25 | 356 | 16 or 25 | 0.12 | 192 |
| EEF 3200 or EHF 3200 | N 82-155 | 45 | 28 | 32 | 93 | 103 | 152.5 | 136 | 332 | 156 | 26 | 32 | 5+20 | 0.04/0.18 | 356 | 7.5+30 | 0.06/0.25 | 356 | | | |
| | S1 137-215 | 50 | 28 | 32 | 90.5 | 103 | 152.5 | 136 | 390 | 156 | 29 | 35 | 5+20 | 0.04/0.18 | 356 | 7.5+30 | 0.06/0.25 | 356 | | | |
| | S2 220-300 | 55 | 28 | 32 | 88 | 103 | 152.5 | 136 | 482 | 156 | 30 | 37 | 5+20 | 0.04/0.18 | 356 | 7.5+30 | 0.06/0.25 | 356 | | | |
| EEF 5000 or EHF 5000 | N 90-155 | 50 | 50 | 35 | 95 | 122 | 191 | 160 | 345 | 170 | 49 | 70 | 4+16 | 0.06/0.25 | 407 | | | | | | |
| | S1 160-226 | 55 | 55 | 35 | 92.5 | 122 | 191 | 160 | 414 | 170 | 51 | 72 | 4+16 | 0.06/0.25 | 407 | | | | | | |
| | S2 240-300 | 63 | 63 | 35 | 88.5 | 122 | 191 | 160 | 496 | 170 | 55 | 76 | 4+16 | 0.06/0.25 | 407 | | | | | | |
| EEF 6300 or EHF 6300 | N 90-155 | 50 | 50 | 35 | 95 | 122 | 191 | 160 | 345 | 170 | 49 | 70 | 4+16 | 0.06/0.25 | 407 | | | | | | |
| | S1 160-226 | 55 | 55 | 35 | 92.5 | 122 | 191 | 160 | 414 | 170 | 51 | 72 | 4+16 | 0.06/0.25 | 407 | | | | | | |
| | S2 240-300 | 63 | 63 | 35 | 88.5 | 122 | 191 | 160 | 496 | 170 | 55 | 76 | 4+16 | 0.06/0.25 | 407 | | | | | | |

The technical data mentioned in the tables are approximate and subject to change.
* only for electric trolleys



LIFTKET®

ELECTRIC CHAIN HOISTS



شرکت تمکین فولاد آسانبر
نماینده انحصاری لیفتکت آلمان

نمایشگاه دائمی:

خیابان امام خمینی (ع)، پاساژ ابزار براق، شماره ۱۰۳
تلفن : ۶۶۷۱۷۰۹۴ ، ۶۶۷۱۷۰۴۱
فاکس : ۶۶۳۴۸۸۷۹

دفتر مرکزی:

تهران، میدان آرژانتین، خیابان ۲۱، پلاک ۶
تلفن : ۸۸۷۲۶۲۹۷ - ۸ ، ۸۸۷۰۹۲۳۶ - ۷
فاکس : ۸۸۷۲۶۱۷۴

HOFFMANN Fördertechnik
GmbH Wurzen

Dresdener Straße 64-68 · D-04808 Wurzen · Germany · phone: +49-3425-89 24-0

fax: +49-3425-89 24-99 · email: sales@liftket.de · internet: http://www.liftket.com

Ho 2014/09: Previous editions are no longer valid. Subject to change without notice.
© Pictures: HOFFMANN Fördertechnik GmbH Wurzen, fotolia.com